

Product: CHAIR WITH HIGH BACKREST

The *Alumina* family of seating is strongly identified by its sinuous forms and its clear historical memory.

The Aluminium structure draws definite contours and frames a comfortable surface where ergonomics finds its simplest answer.

The solution in leather respects the most stringent demands related to its formal status and quality. *Alumina* adapts to different environments and is therefore the ideal solution for board and meeting rooms.

TECHNICAL FEATURES

Seat and backrest:

Structure: in extrusion of curved Aluminium.

Padding: in non-deformable expanded self-extinguishing Class 1 Polyurethane.

Upholstery: mesh, Eco-Leather, Leather or Extra Leather.

Base:

Star base, in die-cast Aluminium, self-braking, hard or soft rubber, swivel castors. Also available with caps.

Armrests:

Fixed, in die-cast Aluminium.

MECHANISMS for star base:

Pivoted, with an oscillating movement which increases the comfort.

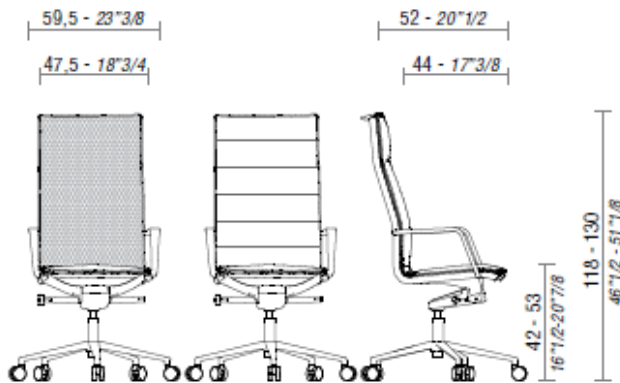
FINISHES

Upholstery: Mesh (for backrest in mesh), Eco-Leather, Leather and Extra Leather (for padded backrest).

Base and structure: Glossy aluminium.

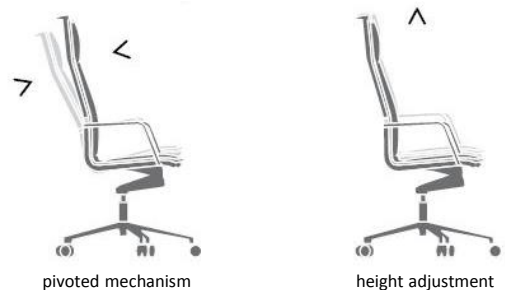
CERTIFICATIONS

The ALUMINIA chair has exceeded the strictest tests and offers full guarantees on the quality of used materials.



ALUMINIA, chair with high backrest with armrests.

Mechanisms and adjustments



pivoted mechanism

height adjustment

Optional

Standard

Product: CHAIR WITH MEDIUM BACKREST

The *Alumina* family of seating is strongly identified by its sinuous forms and its clear historical memory.

The Aluminium structure draws definite contours and frames a comfortable surface where ergonomics finds its simplest answer.

The solution in leather respects the most stringent demands related to its formal status and quality. *Alumina* adapts to different environments and is therefore the ideal solution for board and meeting rooms.

TECHNICAL FEATURES

Seat and backrest:

Structure: in extrusion of curved Aluminium.

Padding: in non-deformable expanded self-extinguishing Class 1 Polyurethane.

Upholstery: mesh, Eco-Leather, Leather or Extra Leather.

Base:

Star base, in die-cast Aluminium, self-braking, hard or soft rubber, swivel castors. Also available with caps.

Armrests:

Fixed, in die-cast Aluminium.

MECHANISMS for star base:

Pivoted, with an oscillating movement which increases the comfort.

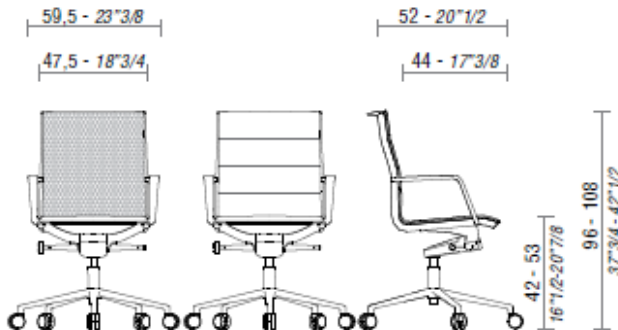
FINISHES

Upholstery: Mesh (for backrest in mesh), Eco-Leather, Leather and Extra Leather (for padded backrest).

Base and structure: Glossy aluminium.

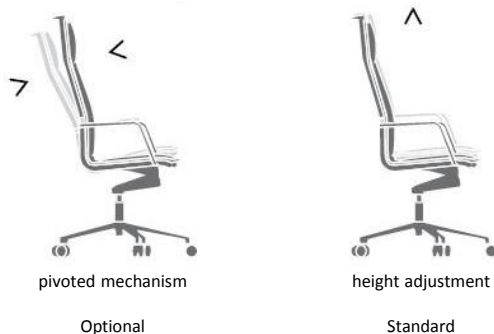
CERTIFICATIONS

The ALUMINIA chair has exceeded the strictest tests and offers full guarantees on the quality of used materials.



ALUMINIA, chair with medium backrest with armrests.

Mechanisms and adjustments



Product: CHAIR WITH LOW BACKREST

The *Alumina* family of seating is strongly identified by its sinuous forms and its clear historical memory.

The Aluminium structure draws definite contours and frames a comfortable surface where ergonomics finds its simplest answer.

The solution in leather respects the most stringent demands related to its formal status and quality. *Alumina* adapts to different environments and is therefore the ideal solution for board and meeting rooms.

TECHNICAL FEATURES

Seat and backrest:

Structure: in extrusion of curved Aluminium.

Padding: in non-deformable expanded self-extinguishing Class 1 Polyurethane.

Upholstery: mesh, Eco-Leather, Leather or Extra Leather.

Base:

Star base, in die-cast Aluminium, self-braking, hard or soft rubber, swivel castors. Also available with caps.

Armrests (optional):

Fixed, in die-cast Aluminium.

MECHANISMS for star base:

Pivoted, with an oscillating movement which increases the comfort.

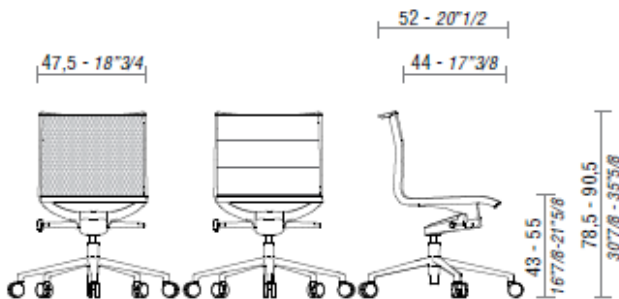
FINISHES

Upholstery: Mesh (for backrest in mesh), Eco-Leather, Leather and Extra Leather (for padded backrest).

Base and structure: Glossy aluminium.

CERTIFICATIONS

The ALUMINIA chair has exceeded the strictest tests and offers full guarantees on the quality of used materials.



ALUMINIA, chair with low backrest without armrests.

Mechanisms and adjustments



pivoted mechanism

Optional



height adjustment

Standard

Product: VISITOR CHAIR - CANTILEVER

The *Alumina* family of seating is strongly identified by its sinuous forms and its clear historical memory.

The Aluminium structure draws definite contours and frames a comfortable surface where ergonomics finds its simplest answer.

The solution in leather respects the most stringent demands related to its formal status and quality. *Alumina* adapts to different environments and is therefore the ideal solution for board and meeting rooms.

TECHNICAL FEATURES

Seat and backrest:

Structure: in extrusion of curved Aluminium.

Padding: in non-deformable expanded self-extinguishing Class 1 Polyurethane.

Upholstery: mesh, Eco-Leather, Leather or Extra Leather.

Base:

4 star base, with caps, in die-cast Aluminium.

Cantilever, in die-cast Aluminium.

Armrests (for cantilever version):

Fixed, in die-cast Aluminium.

FINISHES

Upholstery: Mesh (for visitor seat and cantilever with backrest in mesh), Eco-Leather, Leather and Extra Leather ((for padded backrest).

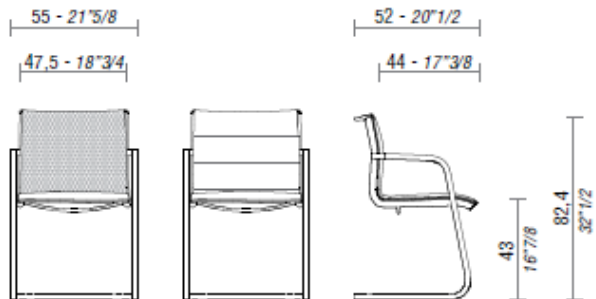
Base and structure: Glossy aluminium.

CERTIFICATIONS

The ALUMINIA chair has exceeded the strictest tests and offers full guarantees on the quality of used materials.



ALUMINIA, visitor chair without armrests.



ALUMINIA, cantilever with armrests.